

Note to Queensland purchasers: The installation of anchorage points **must be approved** by authorised officers appointed by Queensland Transport. Authorised officers can be sourced from all Queensland Transport Customer Service and Queensland Ambulance Service Centres.

“VARIO KID” Booster seat

IMPORTANT: Carefully read through all the instructions before using this booster seat. Always follow these instructions during use. If you have any queries regarding correct installation, please ring Infa-Secure Products on (02) 4728 8090 or a child restraint fitting station authorised by the state government body. In New Zealand contact the agent of the vehicle.

INSTRUCTIONS FOR USE OF THE “VARIO KID”

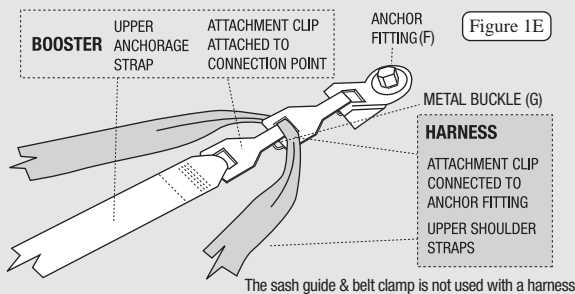
- Step 1.** Install the upper anchorage fitting as shown in section opposite. Place the restraint on the vehicle seat. (Remove the headrest of the vehicle seat if it causes an obstruction for proper installation of the restraint). Attach the upper anchorage strap to the upper anchorage fitting (F). And adjust for a firm fit.
- Step 2.** Sit your child in the Vario Kid (Fig. 1A) with their back against the backrest. Position the lap section of the safety belt under both armrest (C) insert the buckle tongue in the belt buckle (D) pull the lap belt tight. Thread the shoulder belt under the armrest and then through the belt hook on the headrest (E). It is important that the diagonal belt lies comfortably over your child's shoulder. Adjust the headrest according to the height of your child. Refer to Fig (2) & (3). In Fig (2) the height must be adjusted upwards so the child's head is in the middle of the headrest.
- Step 3.** Once the seat belt is tightened, the red belt clamp should be used (Fig. 1, 4 & 5). While holding the belts tight, place the red belt clamp on the sash section only as close to the buckle as possible. Refer to Position 4 in Figure (1) and also Figures 4 and 5. The red belt clamp must ALWAYS be on the buckle side and must only attach to the sash section of the belt.
- Step 4.** To release your child from the Vario Kid, simply release the belt buckle and carefully remove your child from the seat. When the Vario Kid is not in use, the seat belt should be fastened around it.

REFER TO BOTTOM FOR DETAILED DIAGRAMS*

FOR USE WITH A INFA-SECURE ‘SAFE RIDE’ CHILD HARNESS

The upper anchorage strap of the INFA Secure Safe ride child harness must be attached to the anchor fitting (F). The upper anchorage strap of the child seat must be attached to the metal buckle (G) on the child harness upper anchorage strap. Refer to Figures (6) & (1E) on this page.

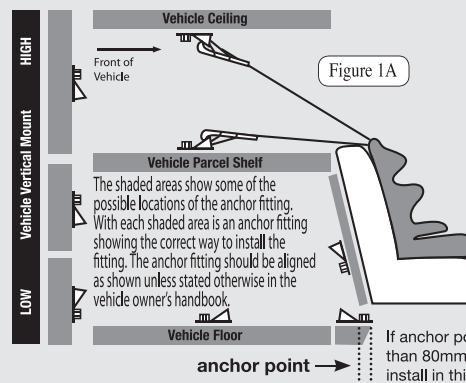
NOTE: Metal Buckle (G) can sometimes be partly obscured by the upper anchorage straps of the restraint. Tighten the upper anchorage strap on the child seat. Use and tighten the child harness as shown in the instructions supplied with the child harness. The lap-strap of the seat belt must be adjusted firmly first, and then adjust the harness, so that the lap-strap is not lifted off the child's lap. Fig (6) shows harness straps routing either side of the headrest stem or directly over the headrest. Either way is acceptable.



HOW TO INSTALL ANCHORAGE FITTINGS

For vehicles fitted with anchorage points.

Refer to your vehicle owner's handbook for location of the child restraint anchorage points. See Figure 1A. Locate the best one to suit you needs. Remove the threaded plug from the parcel shelf/roof/floor and install the anchor bolt as shown in.



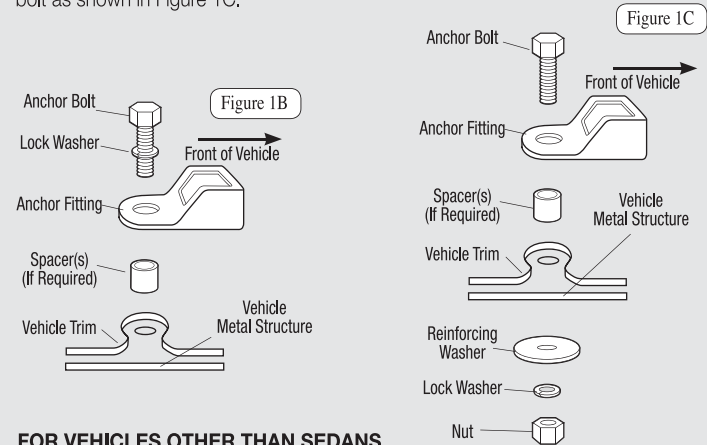
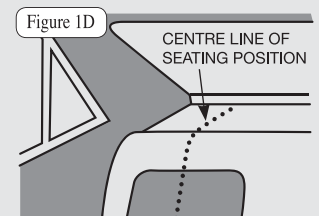
CAUTION: DO NOT OVERTIGHTEN ANCHOR BOLT. MAXIMUM TORQUE FORCE IS 20NM. OVERTIGHTENING MAY SNAP BOLT

WARNING: If A.D.R. anchorage point is recessed, spacer(s) may be required. Spacer Part No's are as follows: 10mm - CCS001; 5mm - CC S002

If anchor point is less than 80mm from seat, install in this position.

FOR VEHICLES NOT FITTED WITH ANCHORAGE POINTS FOR SEDANS ONLY

Drill a 9mm diameter hole in the parcel shelf on the centre line of the seating position as shown in Figure 1D. Hole must be no closer than 200mm from the front of the back seat. Install the anchor bolt as shown in Figure 1C.



FOR VEHICLES OTHER THAN SEDANS

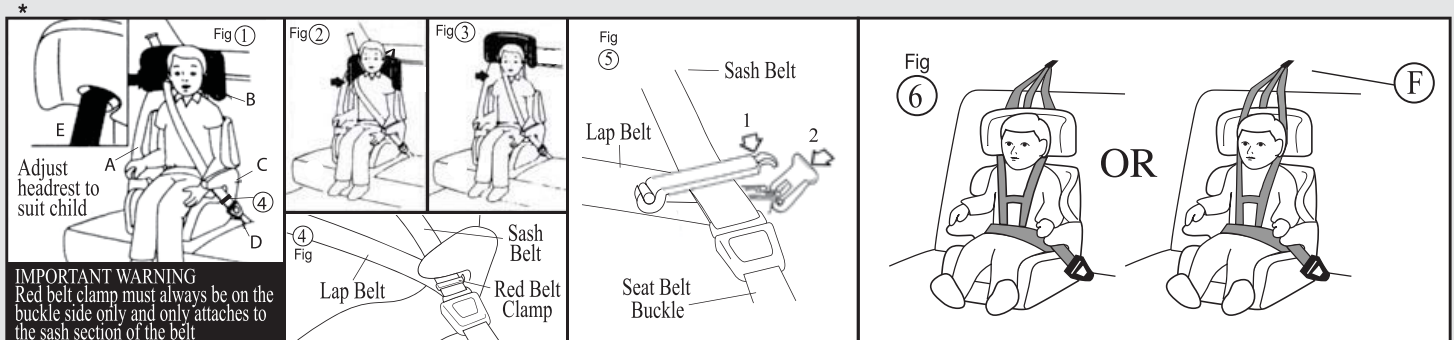
For vehicles other than sedans consult your nearest child restraint fitting station or traffic authority for vehicle inspection to find the best, correct position for the placement of the anchorage point, and for the correct attachment bolt length and use of spacers.

In New Zealand consult the agent of the vehicle.

WARNING: CHILD RESTRAINTS MUST NOT BE ATTACHED TO UNSOUND METAL OR WOOD OR SYNTHETIC STRUCTURES. WHEN DRILLING THE 9MM HOLE DO NOT DRILL THROUGH FUEL LINES, FUEL TANKS, ELECTRICAL WIRING OR RADIO SPEAKERS. WEBBING STRAPS MUST BE PROTECTED FROM SHARP CORNERS AND EDGES.

THE ANCHOR FITTING MUST BE USED ONLY AS DESCRIBED ABOVE. IT MUST NOT BE HOOKED ONTO ANY OTHER OBJECT.

IMPORTANT: If the restraint is used on leather seats it must be used with a seat protector. This is recommended for all seats.



RECOMMENDED PROCEDURES FOR CLEANING Spot clean with detergent and warm or cold water. Do not bleach. Do not dry clean. Do not spin or tumble dry. Do not iron.